

**NewPET**

**ISSUES FILE**

**FILE FORMAT 101**

**VERSION 4 – Final**

# **NewPET**

## **ISSUES FILE**

### **CONTENTS**

1. Introduction
2. File Structure (MESSAGES AND SEGMENTS)
3. File Structure Diagrams
4. Standard Message Formats
5. Code Lists
6. Glossary of Terms

## **NewPET ISSUES FILE**

### 1. **INTRODUCTION**

This standard was developed to provide a vehicle by which a publisher could communicate to newstrade customers details about the life-cycle, physical characteristics, handling and distribution requirements of a product. A product in this case is a magazine issue or variant of a magazine issue.

Properties of the various sets of details notified in the standard are outlined below.

- Life cycle details include last date for placing order, cover price (including VAT), on-sale details, and dates for making claims for unsold copies of the issue.
- Market classification and other descriptive information
- Distribution requirements – this could be on a geographical basis, retailer characteristics, etc.
- Notices and restrictions that may apply to the selling of the product, e.g. DVD age restrictions.
- Physical characteristics include dimensions, weight and packing details.
- Handling and distribution requirements include details on returns handling.
- Information is sent in a file for a number of customers belonging to the same trading group.

The customers are identified by their GLN (Global Location Number) and the products are identified by their EAN-13 codes and a two digit supplementary code (the supplementary code identifies an issue).

It is strongly recommended that wherever possible that an issue variant has a unique barcode on its cover to allow separate processing and reporting of sales information. This will not only help in getting the right product to the right place, but also enable more accurate sales analysis.

#### **Changes from Version 3 to Version 4**

- a) Segment to allow details of issue variants to be described (optional) - IVA
- b) Segment at title level under which issues can be grouped (mandatory) - ITL
- c) Changes to Price Details (IPD) segment to allow multiple currencies
- d) Inclusion at title level (ITL segment) of Market segment classifications
- e) Segments on Restriction and Notices e.g. DVD age restriction (optional) - IRS
- f) Segments on the physical characteristics of the products (optional) – IPY & ICM
- g) Clarification of on sale date
- h) Segment to specify where variant is to be distributed (optional) - IDI

Issue variants could be created for issues which:

- have different prices, physical characteristics, content or sale period,
- are destined to a particular geographical area(s)
- are for a particular retail group(s)
- have some other characteristic different to the “base” issue.

These changes have been made to address both some pressing issues (e.g. Restrictions & Notices) and some longer term requirements (e.g. physical characteristics). The inclusion of data elements in the message does not mean that it is sent; except if mandatory. What conditional data is exchanged is generally the subject of individual trading relationships.

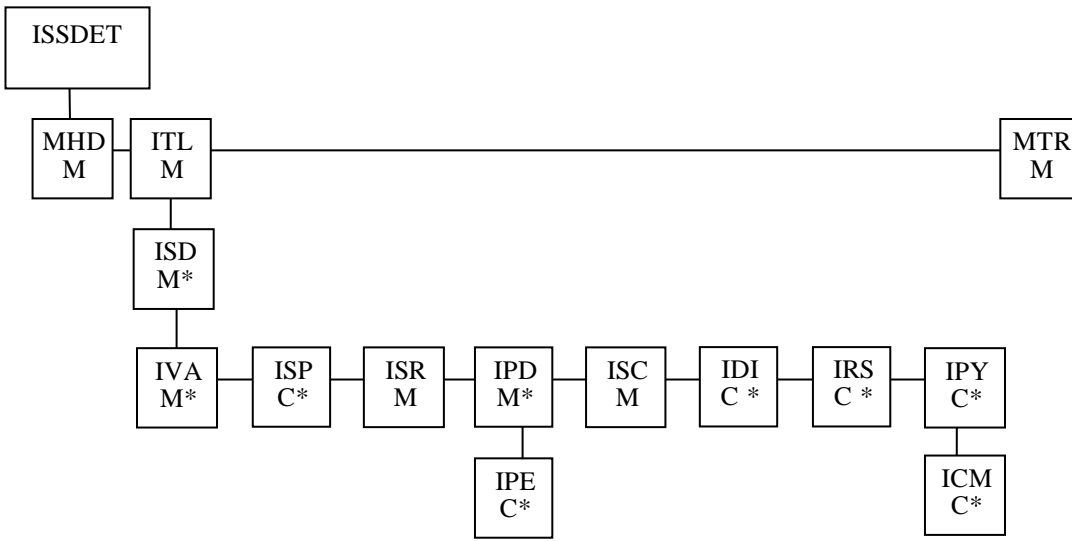
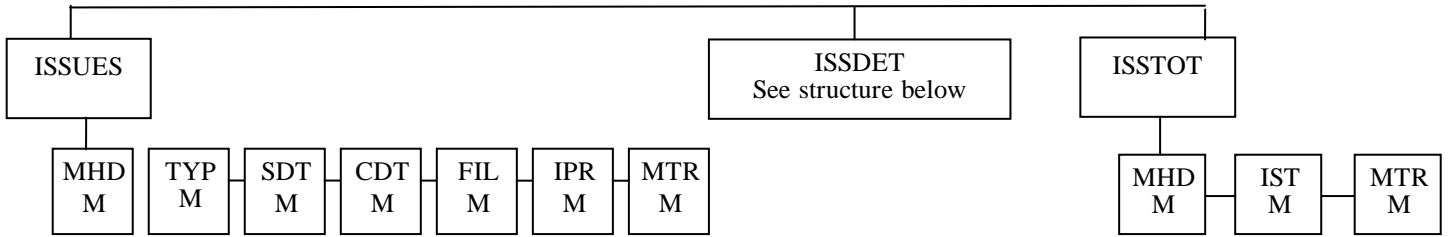
One should be aware that trading partners may need to undertake significant system changes to either provide or use data in some of the new segments, and this needs to be considered and discussed with trading partners before making plans based on this data.

2. FILE STRUCTURE (MESSAGES AND SEGMENTS)

NewPET ISSUES FILE

<u>Message</u>	<u>Consisting of Segments</u>	<u>Repeating as follows</u>
<b>ISSUES</b> Issues Header	MHD = Message Header TYP = Transaction Type Details SDT = Supplier Details CDT = Customer Details FIL = File Details IPR = Issue Period Details MTR = Message Trailer	One message only, at the start of the file
<b>ISSDET</b> Issues Details	MHD = Message Header ITL = Title/Publication Details ISD = Issue/Publication Details IVA = Issue Variant Details (based on ISD) ISP = Issue Variant Promo Details/House ISR = Issue Variant Retail Sales Details IPD = Issue Variant Price Details IPE = Issue Variant VAT Details ISC = Issue Variant Claims Period IDI = Issue Variant Distribution IRS = Issue Variant Restrictions or Notices IPY = Issue Variant Physical Characteristics ICM = Issue Variant Cover Mount Details MTR = Message Trailer	Repeating under ITL for each Issue Repeating under ISD for each Issue Variant (inc. the master variant) Repeating Repeating Repeating under IPD Repeating Repeating Repeating under IPY
<b>ISSTOT</b> Total Number of Titles	MHD = Message Header IST = Issue Variant segments (IVA segments) MTR = Message Trailer	One message only, at the end of the file

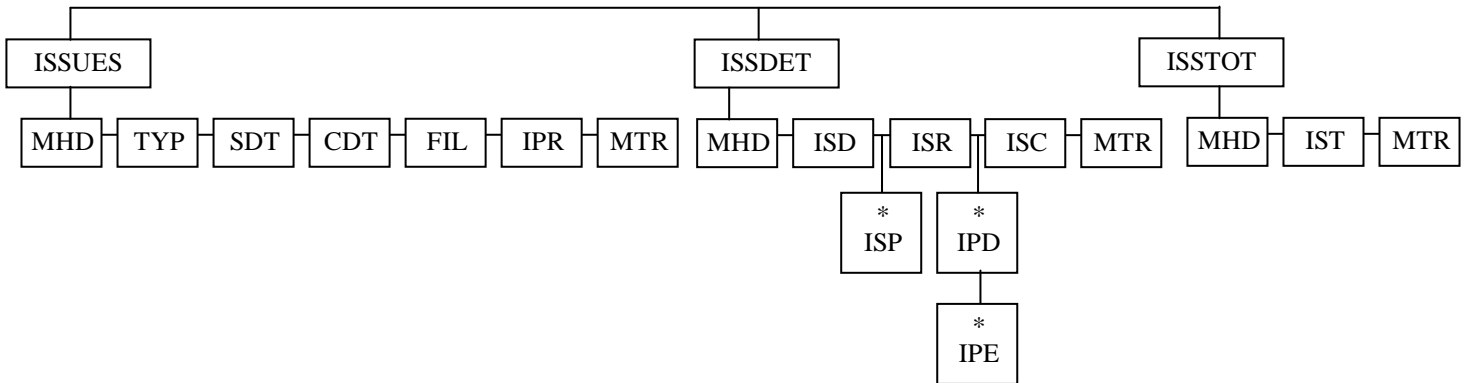
3. FILE STRUCTURE DIAGRAM



- \* Denotes repeatable segment
- M Denotes mandatory segment
- C Denotes conditional segment

\*\*\*\*\*

ORIGINAL structure diagram from Version 3.



\*\*\*\*\*

SEG- MENT		DATA ELEMENT	DATA ELEMENT NAME	M/C	F/ V	PICTURE	REMARKS (See also General Remarks in directory)
--------------	--	-----------------	-------------------	-----	---------	---------	--

4. STANDARD MESSAGE FORMAT

MHD	=		MESSAGE HEADER	M				
		MSRF	Message Reference	M	V	9(12)	Consecutive count of messages within the transmission	
		+ TYPE	Type of Message Type : Version Number	M M M	F F	X(6) 9(1)	'ISSUES' '4' for this version	
TYP	=		TRANSACTION TYPE DETAILS	M				
		TCDE	Transaction Code	M	F	9(4)	Code Values List 2	
		+ TTYP	Transaction Type	C	V	X(12)	Code Values List 3	
SDT	=		SUPPLIER DETAILS	M				
		SIDN	Supplier's Identity Supplier's EAN Location Number : Supplier's Identity Allocated by Customer	M C C	F V	9(13) X(17)	GLN identifying supplier Supplier's Code as allocated/used by customer	
		+ SNAM	Supplier's Name	C	V	X(40)	Supplier's legal name	
		+ SADD	Supplier's Address Supplier's Address Line 1 : Supplier's Address Line 2 : Supplier's Address Line 3 : Supplier's Address Line 4 : Supplier's Post Code	C C C C C	V V V V V	X(35) X(35) X(35) X(35) X(8)	Max of five lines for supplier's address	
		+ VATN	Supplier's VAT Registration Number Numeric VAT Registration Number : Alphanumeric VAT Registration Number	C C C	F V	9(9) X(17)	Trader's VAT number allocated by HM Customs & Excise Government department or non-UK VAT number	
CDT	=		CUSTOMER DETAILS	M				
		CIDN	Customer's Identity Customer's EAN Location Number : Customer's Identity Allocated by Supplier	M C C	F V	9(13) X(17)	GLN identifying the customer Customer's Code as allocated/used by supplier	
		+ CNAM	Customer's Name	C	V	X(40)	Customer's registered legal name	
		+ CADD	Customer's Address Customer's Address Line 1 : Customer's Address Line 2 : Customer's Address Line 3 : Customer's Address Line 4	C C C C	V V V V	X(35) X(35) X(35) X(35)	A maximum of five lines to give the customer's address	

SEG- MENT		DATA ELEMENT	DATA ELEMENT NAME	M/C	F/ V	PICTURE	REMARKS (See also General Remarks in directory)
			: Customer's Post Code	C	V	X(8)	
		+ VATR	Customer's VAT Registration No. Numeric VAT Registration Number	C	F	9(9)	Trader's VAT number allocated by HM Customs & Excise
			: Alphanumeric VAT Registration Number	C	V	X(17)	Government department or non-UK VAT number
FIL	=		FILE DETAILS	M			
		FLGN	File Generation Number	M	V	9(4)	This number is sequential per file type, per trading partner
		+ FLVN	File Version Number	M	V	9(4)	Original (which is always 1) is incremented by 1 for each additional copy created
		+ FLDT	File Creation Date	M	F	9(6)	Date the file is created Format: YYMMDD
		+ FLID	File (Reel) Identification	C	V	X(6)	Reference on the outside of the reel containing the file
IPR	=		ISSUE PERIOD DETAILS	M			
		IPFR	Issue Period From	M	F	9(6)	Start of Period Date. Format: YYMMDD
		+ IPTO	Issue Period To	M	F	9(6)	End of Period Date. Format: YYMMDD
MTR	=		MESSAGE TRAILER	M			
		NOSG	Number of Segments in Message	M	V	9(10)	Control count of the number of segments comprising message. The count includes the MHD and MTR segments surrounding the message

SEG- MENT			DATA ELEMENT	DATA ELEMENT NAME	M/C	F/ V	PICTURE	REMARKS (See also General Remarks in directory)
MHD	=			MESSAGE HEADER	M			
			MSRF	Message Reference	M	V	9(12)	Consecutive count of messages within the transmission
		+	TYPE	Type of Message Type Version Number	M M M	F F	X(6) 9(1)	'ISSDET' '4' for this version
ITL	=			TITLE/PUBLICATION DETAILS	M			
			ITID	EAN (GTIN) Number	M	V	X(13)	EAN (GTIN) Number, ISBN, For ISSN first 10 plus 3 zeros
		+	ITFT	Full Title (Publisher)	C	V	X(30)	Full title as per cover, supplied by publisher
		+	ITST	Short Title (Publisher)	C	V	X(16)	Abbreviated title, defined by publisher
		+	ITPM	Publisher's Title Reference	C	V	X(17)	Reference for title held in publisher's computer system
		+	ITFE	Frequency of Publication	C	F	9(3)	Number of Issues Per Annum
		+	IMSF	Market Segment First level	M	F	X(3)	Industry Code List 84
		+	IMSS	Market Segment Second level	M	F	X(3)	Industry Code List 84
ISD	=			ISSUE/PUBLICATION DETAILS	M			
			SEQA	First Level Sequence Number	M	V	9(10)	Starts at 1 and is incremented by 1 for each segment of this type in the message
		+	IDID	EAN/ISSN Number	M	V	X(15)	EAN/ISSN Number – Parent or master number consistent with variants.
		+	IDPI	Publisher's Issue Reference	C	V	X(17)	Reference for issue held in publisher's computer system
		+	ILST	Last Issue Indicator	C	F	X(1)	"Y" if title ceasing publication Not to be used when changing distributor.
IVA	=			ISSUE VARIANT DETAILS	M			NOTE: Not all Issue Variants need to be sent in each file.
			SEQA	First Level Sequence Number	M	V	9(10)	Takes the value of SEQA in the proceeding ISD segment within which this segment is nested
			SEQB	Second Level Sequence Number	M	V	9(10)	Starts at 1 and is incremented by 1 for each segment of this type in the message
		+	IDID	EAN/ISSN Number – This number uniquely identifies the Issue Variant.	M	V	X(15)	EAN/ISSN Number of issue variant – This would be the actual barcode or a dummy barcode if the variant



SEG- MENT		DATA ELEMENT	DATA ELEMENT NAME	M/C	F/ V	PICTURE	REMARKS (See also General Remarks in directory)
							physical magazine doesn't have a unique barcode. Wherever possible a variant should have its own unique barcode.
		+ IDFT	Full Title (Publisher) of variant	C	V	X(30)	Full title of variant as per cover, supplied by publisher
		+ IDST	Short Title (Publisher) of variant	C	V	X(16)	Abbreviated title of variant, defined by publisher
		+ IDPI	Publisher's Variant Reference	C	V	X(17)	Reference for variant held in publisher's computer system
		+ IDCI	Cover Identification and Format	C			Specified format or free text
			Cover Identification	C	V	X(10)	
			: Cover ID Format	C	F	X(1)	Industry Code List 81
		+ IDYP	Year of Publication	C	F	9(2)	Last two digits of year of publication
		+ IDEL	Deleted Variant Indicator	C	F	X(1)	If sent this will have value D to indicate that variant has been cancelled or deleted
		+ IBCM	Barcode number as Printed on Cover	C	F	X(13)	Article number as shown on cover
		+ IBCS	Supplementary Code	C	V	X(5)	As on cover after barcode. Left justified
		+ INAR	Text to describe variant	C			Narrative
			Text line 1	C	V	X(30)	e.g. Tesco promotion variant
			: Text line 2	C	V	X(30)	This data element is NOT intended to uniquely identify a variant but is to describe in general terms the nature of the variant.
			: Text line 3	C	V	X(30)	
			: Text line 4	C	V	X(30)	
ISP	=		ISSUE VARIANT PROMOTIONAL DETAILS PER HOUSE	C			
		SEQA	First Level Sequence Number	M	V	9(10)	Takes the value of SEQA in the proceeding ISD segment within which this segment is nested
		+ SEQB	Second Level Sequence Number	M	V	9(10)	Takes the value of SEQB in the proceeding IVA segment within which this segment is nested
		+ SEQC	Third Level Sequence Number	M	V	9(10)	Starts at 1 and is incremented by 1 for each segment of this type in the message
		+ IPAC	Publisher's ID for House	M	F	9(13)	Publisher's ID for Wholesaling House
		+ ICRM	Returns Method	M	V	X(30)	Must be one of: FULL COPIES, HEADINGS, WASTE & KEEP. Industry Code List 82
		+ IWAC	Wholesaler's ID for House	C	F	9(13)	EAN location number identifying the customer
		+ IPFS	Fully SOR Indicator	M	F	X(4)	Fully Sale or Return indicator

SEG- MENT			DATA ELEMENT	DATA ELEMENT NAME	M/C	F/ V	PICTURE	REMARKS (See also General Remarks in directory)
								Must be one of: SOR, FIRM or PART. Industry Code List 83
		+	IPPC	Promotional Code	C	F	9(2)	Code to specify type of order response. See code list 93.
		+	IPPR	Promotional Reference	C	V	X(17)	Publisher defined reference to identify a promotion
		+	IPPT	Promotional Text	C	V	X(20)	Text to explain and support code IPPR
		+	IPAQ	Sales or Return Allowance (copies)	C	V	9(15)	The number of copies which may be returned under SOR terms
ISR	=			ISSUE VARIANT RETAIL SALES DETAILS	M			
			SEQA	First Level Sequence Number	M	V	9(10)	Takes the value of SEQA in the proceeding ISD segment within which this segment is nested
		+	SEQB	Second Level Sequence Number	M	V	9(10)	Takes the value of SEQB in the proceeding IVA segment within which this segment is nested
		+	ISOD	Last Date for Order	M	F	9(6)	Date by which wholesalers must place orders for this issue. Format: YYMMDD
		+	IRON	Official on Sale Date	M	F	9(6)	Date product to go on sale at retailers Format: YYMMDD
		+	IRER	Off Sale Date	C	F	9(6)	Date issue variant to go off sale at retail. Format: YYMMDD
IPD	=			ISSUE VARIANT PRICE DETAILS	M			
			SEQA	First Level Sequence Number	M	V	9(10)	Takes the value of SEQA in the proceeding ISD segment within which this segment is nested
		+	SEQB	Second Level Sequence Number	M	V	9(10)	Takes the value of SEQB in the proceeding IVA segment within which this segment is nested
		+	SEQC	Third Level Sequence Number	M	V	9(10)	Starts at 1 and is incremented by 1 for each segment of this type in the message
		+	IRCP	Cover Price in currency unit below	M	V	9(10) V9(4)	Retail price as shown on cover. Includes any VAT. In currency below
		+	CUIN	Currency Indicator	C	V	X(3)	Currency - Code List 31
		+	COIN	Currency Unit	C	V	X(4)	Currency Unit – Code List 80
		+	VCRY	Country or region price applies to	C	V	X(7)	Use the ISO country code list 3166, Code list 87
IPE	=			ISSUE VARIANT VAT DETAILS	C			One for each part of product

SEG- MENT		DATA ELEMENT	DATA ELEMENT NAME	M/C	F/ V	PICTURE	REMARKS (See also General Remarks in directory)
							(magazine)
		SEQA	First Level Sequence Number	M	V	9(10)	Takes the value of SEQA in the proceeding ISD segment within which this segment is nested
		+ SEQB	Second Level Sequence Number	M	V	9(10)	Takes the value of SEQB in the proceeding IVA segment within which this segment is nested
		+ SEQC	Third Level Sequence Number	M	V	9(10)	Matches corresponding IPD Segment
		+ SEQD	Fourth Level Sequence Number	M	V	9(10)	Starts at one, incremented by 1 for each segment of this type
		+ IRVT	Part Price including VAT	M	V	9(10) V9(4)	Part of cover price inc VAT at this VAT rate
		+ VATC	VAT code	M	V	X(1)	VAT rate code on which IRVT is charged (Code List 12)
		+ VATP	VAT rate percentage	C	V	9(3)V9(3)	Percentage rate for VAT category code
ISC	=		ISSUE VARIANT CLAIMS PERIOD	M			
		SEQA	First Level Sequence Number	M	V	9(10)	Takes the value of SEQA in the proceeding ISD segment within which this segment is nested
		+ SEQB	Second Level Sequence Number	M	V	9(10)	Takes the value of SEQB in the proceeding IVA segment within which this segment is nested
		+ ICSD	Claims Start Date	M	F	9(6)	Generally the same for each variant, but there is the potential to different for each variant. Format: YYYYMMDD
		+ ICSE	Claims End Date	M	F	9(6)	Generally the same for each variant, but there is the potential to different for each variant. Format: YYYYMMDD
IDI	=		ISSUE VARIANT DISTRIBUTION	C			
		SEQA	First Level Sequence Number	M	V	9(10)	Takes the value of SEQA in the proceeding ISD segment within which this segment is nested
		+ SEQB	Second Level Sequence Number	M	V	9(10)	Takes the value of SEQB in the proceeding IVA segment within which this segment is nested
		+ SEQC	Third Level Sequence Number	M	V	9(10)	Starts at 1 and is incremented by 1 for each segment of this type in the message
		+ IDIA	Action – Include or Exclude (I or E)	M	F	X(1)	Indicates if variant is to distributed to specified entities/locations or not
		+ ICIT	Type of entity or location	M	F	X(3)	RMG = Retail Multiple Group

SEG- MENT		DATA ELEMENT	DATA ELEMENT NAME	M/C	F/ V	PICTURE	REMARKS (See also General Remarks in directory)
			(Please allow for the number of these codes to be increased as variants are targeted in different ways.)				PCA (Postcode area) = XX PCD (Postcode district) = XX99 PCS (Postcode sector) = XX99 9 WSA = Wholesaler
		+ ICIC	Code for entity or location Code 1 : Code 2 : Code 3 : Code 4 : Code 5 : Code 6 : Code 7 : Code 8 : Code 9 : Code 10	M C C C C C C C C C C	V V V V V V V V V V V	X(17) X(17) X(17) X(17) X(17) X(17) X(17) X(17) X(17) X(17) X(17)	RMG = Retail Multiple Group – Code list 91 (Each format of a retail group to be specified) PCA (Postcode area) = XX – e.g. EH PCD (Postcode district) = XX99 - e.g. EH12 PCS (Postcode sector) = XX99 9 e.g. - EH12 4 WSA (Wholesaler) = EAN-13 Location code
IRS	=		ISSUE VARIANT RESTRICTIONS AND NOTICES	C			
		SEQA	First Level Sequence Number	M	V	9(10)	Takes the value of SEQA in the proceeding ISD segment within which this segment is nested
		+ SEQB	Second Level Sequence Number	M	V	9(10)	Takes the value of SEQB in the proceeding IVA segment within which this segment is nested
		+ SEQC	Third Level Sequence Number	M	V	9(10)	Starts at 1 and is incremented by 1 for each segment of this type in the message
		+ INOT	Type Notice or Restriction	M	F	X(6)	Use Code list 85 for the nature of the notice or restriction – e.g. Age, food
		+ IRES	Actual Restriction code	M	F	X(6)	Use Code list 85 for the actual restriction e.g. for Age = 18
		+ IREN	Actual Restriction narrative	C	V	X(40)	Narrative for the actual restriction e.g. Minimum age 18 years
		+ IPRD	Part of product to which notice or restriction applies to	M	F	X(6)	Use Code list 86 for the part of product e.g. Cover mount
		+ ICRY	Country or region Notice or Restriction applies to.	C	V	X(7)	Use the ISO country code list 3166, code list 87
IPY	=		ISSUE VARIANT PHYSICAL DIMENSIONS of each delivered part	C			
		SEQA	First Level Sequence Number	M	V	9(10)	Takes the value of SEQA in the proceeding ISD segment within which this segment is nested
		+ SEQB	Second Level Sequence Number	M	V	9(10)	Takes the value of SEQB in the proceeding IVA segment within which this segment is nested

SEG- MENT		DATA ELEMENT	DATA ELEMENT NAME	M/C	F/ V	PICTURE	REMARKS (See also General Remarks in directory)			
		+	SEQC			Third Level Sequence Number	M	V	9(10)	Starts at 1 and is incremented by 1 for each segment of this type in the message
		+	IWGT			Weight in grams	M	F	9(6)	Weight of item being delivered
		+	IWGI			Actual or Estimated weight indicator	M	F	X(1)	A= actual, E= estimated weight
		+	IHGT			Height in mm of one copy	C	F	9(6)	
		+	IHGI			Actual or Estimated height indicator	M	F	X(1)	A= actual, E= estimated height
		+	IHG2			Height in mm of two copies	C	F	9(6)	
		+	IH2I			Actual or Estimated height indicator	M	F	X(1)	A= actual, E= estimated height
		+	IWTH			Width in mm	C	F	9(6)	
		+	IWTI			Actual or Estimated width indicator	M	F	X(1)	A= actual, E= estimated width
		+	IDPT			Depth in mm	C	F	9(6)	
		+	IDPI			Actual or Estimated depth indicator	M	F	X(1)	A= actual, E= estimated depth
		+	IPOL			Polly bagged	C	F	X(1)	Y or N
		+	IBUD			Number of items in full bundle	C	F	9(6)	
		+	ITUN			Number of items in turn	C	F	9(6)	
		+	IBPK			How bundled	C	V	X(6)	How bundles are held together – see code list 88 e.g. Boxed, strapped, poly-wrapped
		+	ICMT			Is there a cover mount included	C	F	X(1)	Y or N
		+	INST			Are there loose inserts?	C	F	X(1)	Y or N
		+	INAR			Narrative to describe this item / part product	C	V	X(40)	
ICM	=					ISSUE VARIANT INSERT OR COVER MOUNT DETAILS	C			One for each insert or cover mount
			SEQA			First Level Sequence Number	M	V	9(10)	Takes the value of SEQA in the proceeding ISD segment within which this segment is nested
		+	SEQB			Second Level Sequence Number	M	V	9(10)	Takes the value of SEQB in the proceeding IVA segment within which this segment is nested
		+	SEQC			Third Level Sequence Number	M	V	9(10)	Matches corresponding PHY Segment
		+	SEQD			Fourth Level Sequence Number	M	V	9(10)	Starts at one, incremented by 1 for each segment of this type
		+	ITYP			Is this an insert or cover mount?	M	V	X(1)	I or C
		+	ITIC			Type of inset or cover mount	M	V	X(4)	See code list 89 e.g. CD, book
		+	IWST			Waste instructions code	C	V	X(4)	See code list 90 e.g. Destroy, Keep. This is to refer to the covermount or insert not the whole publication. The action to take for the main part

SEG- MENT		DATA ELEMENT	DATA ELEMENT NAME	M/C	F/ V	PICTURE	REMARKS (See also General Remarks in directory)
							of the product is specified in ISP – ICRM.
		+ IWTT	Waste instruction text	C	V	X(40)	
		+ INRS	Is there a notice or restriction?	C	V	X(1)	Y or N
		+ IWGT	Weight in grams	C	F	9(6)	Weight of this insert or cover mount
		+ IWGI	Actual or Estimated weight indicator	M	F	X(1)	A= actual, E= estimated weight
		+ IHGT	Height in mm of 1 item	C	F	9(6)	
		+ IHGI	Actual or Estimated height indicator	M	F	X(1)	A= actual, E= estimated height
		+ IHG2	Height in mm of 2 items	C	F	9(6)	
		+ IH2I	Actual or Estimated height indicator	M	F	X(1)	A= actual, E= estimated height
		+ IWTH	Width in mm	C	F	9(6)	
		+ IWTI	Actual or Estimated width indicator	M	F	X(1)	A= actual, E= estimated width
		+ IDPT	Depth in mm	C	F	9(6)	
		+ IDPI	Actual or Estimated depth indicator	M	F	X(1)	A= actual, E= estimated depth
		+ IHAN	Handling allowance per item	C	F	9(6)v99	
		+ CUIIN	Currency Indicator	C	V	X(3)	Currency Code List 31
		+ COIN	Currency Unit	C	V	X(4)	Currency Unit Code List 80
		+ INAR	Narrative to describe this insert or covermount	C	V	X(40)	
MTR	=		MESSAGE TRAILER	M			
		NOSG	Number of Segments in Message	M	V	9(10)	Control count of the number of segments in message. Includes the MHD and MTR segments

SEG- MENT		DATA ELEMENT	DATA ELEMENT NAME	M/C	F/ V	PICTURE	REMARKS (See also General Remarks in directory)
MHD	=		MESSAGE HEADER	M			
			MSRF	M	V	9(12)	Consecutive count of messages within the transmission
		+	TYPE : Type of Message Type Version Number	M M M	F F	X(6) 9(1)	"ISSTOT" "4" for this version
IST	=		TOTAL NUMBER OF ISSUES VARIANTS	M			
			ISTO	M	F	9(10)	Number of IVA segments in the file
MTR	=		MESSAGE TRAILER	M			
			NOSG	M	V	9(10)	Control count of the number of segments comprising message. Includes the MHD and MTR segments.

## 5. CODE LISTS - STANDARD CODE VALUES

### 1. INTRODUCTION

Much of the data which can be exchanged electronically in TRADACOMS standard messages is sent in coded form. This minimizes the amount of data to be sent in each transmission and facilitates automatic processing.

The permissible code values are given in the following lists. Trading partners should set up the relevant code lists for the data elements they require in look-up tables on their computer systems.

If any user needs additional code values to be added to any of these lists they should apply in writing to the code list owner.

### 2. CONTENTS

There is a Standard Code Values List for each data element or sub-element which can be sent in coded form. The lists are numbered as shown below:

<u>List</u>	<u>Code description</u>	<u>Data Segment</u>	<u>Data Element / Sub-Element</u>
1	Transmission Priority Code		PRCD
2	Transaction Code	TYP	TCDE
3	Transaction Type	TYP	TTYP
12	VAT Rate Category Code	IFE	VATC
14	VAT Type of Supply Code		TSUP
22	Data Narrative Code		DNAC
31	Currency Code	IPD & ICM	CUIN
53	Type of Change		TYPIC
80	Currency unit	IPD & ICM	COIN
81	Cover ID format	IYA	IDCI
82	Returns method	ISP	ICRM
83	SOR Indicator	ISP	IPFS
84	Market Segments – First & Second levels	ITL	IMSF & IMSS
85	Notice or Restriction Type – First & Second levels	IRS	INOT & IRES
86	Product or Part of Product Restriction applies	IRS	IPRD
87	Country code – alpha-3	IPD & IRS	VCRY & ICRY
88	Bundle packing type	IPY	IBPK
89	Covermount product type code	ICM	ITIC
90	Covermount return action code	ICM	IWST
91	Retail multiple code	IDI	ICIC
92	Type of supply code		
93	Promotion type code	ISP	IPPC
94	Distribution entity or location code	IDI	ICIT



**Standard Code Values List 1**

Description: TRANSMISSION PRIORITY CODE  
 Data element: PRCD  
 Data format: X(1)  
 Owner: GS1 UK  
 Source: GS1 UK Tradacoms documentation  
 Use in ISSUES: Appears in the Transmission Header Segment STX  
 Comment: Used by VAN to process message

Value	Description or explanation of code
A	Urgent
B	Normal
C	Low

**Standard Code Values List 2**

Description: TRANSACTION CODE  
 Data element: TCDE  
 Data format: 9(4)  
 Owner: GS1 UK  
 Source: GS1 UK Tradacoms documentation  
 Use in ISSUES: Appears in all file header messages, in segments TYP  
 Comment: Used by VAN to process message

Value	Description or explanation of code
9000	Issues (Newstrade) - master file showing details of the current issues of a magazine or newspaper, with selling restrictions

**Standard Code Values - List 3**

Description: TRANSACTION TYPE  
 Data element: TTYP  
 Data format: X(12)  
 Owner: GS1 UK  
 Source: GS1 UK Tradacoms documentation  
 Use in ISSUES: Appears in all file header messages, in segments TYP  
 Comment: Appears in some file header messages, in segment TYP, but not necessary for new users. Where no code value is given in this list for a particular file header message, the TTYP element in that file may be omitted from the message. There will always be a Transaction Code from List 2 in TCDE

Value	Description or explanation of code
ISSUES	First message of the Issues File, File Format 101

**Standard Code Values - List 12**

Description: VAT RATE CATEGORY CODE  
 Data element: VATC  
 Data format: X(1)  
 Owner: GS1 UK  
 Source: GS1 UK Tradacoms documentation  
 Use in ISSUES: Appears in all file header messages, in segments IPE  
 Comment: Appears in CREDIT, INVOIC, PROINF, UTLBIL, UVATLR and VATTLR messages, in segments CLD, CST, ILD, STL, PRD, VRS, VAT and VTS

Value	Description or explanation of code
S	Standard rate

T	Standard rated free goods, VAT charged
V	Standard rated free goods, VAT not charged
Z	Zero rate
X	Exemption from VAT
H	Higher rate
J	Higher rated free goods, VAT charged
K	Higher rated free goods, VAT not charged
E	Export item
F	Free export item, VAT charged
G	Free export item, VAT not charged
I	Import item
O	Services outside the scope of VAT
A	Mixed VAT rate item
R	Reconciliation - Invoice raised for VAT only
N	Input Tax paid but not reclaimable
L	Lower rate

### Standard Code Values List 31

Description: CURRENCY CODE  
 Data element: CUIIN  
 Data format: X(3)  
 Owner: GS1 UK  
 Source: GS1 UK Tradacoms documentation  
 Use in ISSUES: Appears in segments IPD & ICM  
 Comment: Codes below are a subset of a much larger list

Value	Description or explanation of code
CHF	Switzerland, Franc
GBP	Great Britain, Pound
IEP	Ireland, Punt
EUR	EURO, Europe
USD	United States, Dollar

### Standard Code Values List 80

Description: CURRENCY UNIT  
 Data element: COIN  
 Data format: X(4)  
 Owner: NewPET  
 Source: NewPET working group  
 Use in ISSUES: Appears in segments IPD & ICM  
 Comment: This code is used to define the unit of currency within a currency code.  
 Codes below are a subset of a much larger list

Value	Currency	Description or explanation of code
PENC	GBP	Great Britain, Pound – Pence
CENT	EUR	Euro – Cents
CENT	USD	United States, Dollar - Cents

### Standard Code Values List 81

Description: COVER ID FORMAT  
 Data element: IDCI  
 Data format: X(1)  
 Owner: NewPET  
 Source: NewPET working group  
 Use in ISSUES: Appears in segments IVA  
 Comment: This code is used to define the format of cover identification used, that will enable system checking

Value	Format	Example	Projection	Length See note (c)	Remarks
D	DD/MM/YY	12/09/04	Date / Frequency	8	
E	MMM YY	NOV 04	Month + 1	6	
N	NO nnnnnnn * Nnnnnnnnn	NO 1234 N1234	Number + 1	6bc	“NO” is an abbreviation of “NUMBER” Note (a) applies to n, e.g. NO1  “N” is an abbreviation of “NUMBER” Note (a) applies to n, e.g. NO1
Q	VnnnnnnNnnnnnn	V12N9	Volume + 1 Number + 1	6bc	Note (a) applies to n, e.g. V1N1 Maximum total length is 10
G	MMM/MMM YY	OCT/NOV 05	OCT/NOV 05 DEC/JAN 06 Etc...etc	10	Earliest month expressed first. The year in YY refers to the second month
H	MMM-MMM	NOV-DEC	NOV-DEC JAN-FEB etc	7	Earliest month expressed first.
K	SSS YY	SPR 05	SPR 05 SUM 05 etc	6	See Note (b)
J	SSS/SSS YY	SPR/SUM 05	Increment 2 <sup>nd</sup> season by 1 and link to next	10	The year in YY refers to the second season. Earliest season expressed first.
L	YYYY	2005	Increment year by 1	4	See Note (b)
M	YYYY-YY	2005-06	Increment 2 <sup>nd</sup> year by 1 and link to next	7	See Note (b)
R	NOTE: <b>SEASON</b> OR <b>SPECIAL</b> <b>DATES</b>  See remarks ...			6bc	The COVER ID must begin with any one of the following values. The defined length of the COVER ID is the length of the value used. SPRING EASTER SUMMER AUTUMN WINTER FALL XMAS HOLIDAY O/SHOT SPECIAL

#### Notes on the FORMATS

- (a) Where specified, certain numerics may have their leading zeros truncated. When a zero is truncated the remainder of the COVER ID must shift one place to the left. In other words, leading zero may be omitted but a blank may not be substituted. No numeric may be completely omitted even if zero. When the year is represented by YY it may not have leading zero truncated.
- (b) DD Day of month  
MMM First three letter of month  
MM Month as a number  
YY Year as a number, such as 04  
YYYY Year as a number, such as 2004  
n The issue or volume number  
SSS Abbreviation of season  
Valid values are: SPR Spring

EAS	Easter
SUM	Summer
AUT	Autumn
WIN	Winter
XMS	Christmas
HOL	Holiday

- (c) Defined length.  
A number in this column indicates the length of the data.  
fbc indicates that the first blank character delimits the field.

### Standard Code Values List 82

Description: RETURNS METHOD  
Data element: ICRM  
Data format: X(30)  
Owner: NewPET  
Source: NewPET working group  
Use in ISSUES: Appears in segments ISP  
Comment: This code is used to define how returns are to be processed, that is what happens to them once scanned

Value	Description or explanation of code
FULL COPIES	Full copy of the magazine to be returned to publisher
HEADINGS	Heading of magazine or newspaper to sent to publisher
WASTE	Copies can be sent directly to waste
KEEP	Keep awaiting publisher instructions

### Standard Code Values List 83

Description: SOR INDICATOR  
Data element: IPFS  
Data format: X(4)  
Owner: NewPET  
Source: NewPET working group  
Use in ISSUES: Appears in segments ISP  
Comment: This code is used to define how the publication is sold

Value	Description or explanation of code
SOR	Sold fully SOR
FIRM	Sold firm sale
PART	Sold with part SOR

### Standard Code Values List 84

Description: MARKET SEGMENTS – First & Second levels  
Data element: IMSF & IMSS  
Data format: X(3)  
Owner: PPA MIM Group  
Source: PPA  
Use in ISSUES: Appears in segments ITL  
Comment: These codes are used to define the market segment of a magazine or item sold through the newstrade.

Value 1 <sup>st</sup>	Value 2 <sup>nd</sup>	Description or explanation of Value 1	Description or explanation of Value 2
ADL	HUM	Adult	Adult Humour / Graphic Novels
ADL	ADL	Adult	Adult Magazines
ADL	GAY	Adult	Gay Lifestyle

BAS	BSG	Buying & Selling	Buying and Selling - General
BAS	BSP	Buying & Selling	Buying and Selling - Property
CHL	PRS	Childrens Magazines	Pre-School
CHL	PRT	Childrens Magazines	Pre Teen
CHL	PRB	Childrens Magazines	Primary Boys
CHL	PRG	Childrens Magazines	Primary Girls
CHL	TEE	Childrens Magazines	Teenage
COM	DES	Computing	Design
COM		Computing	Do not use - was Misc Computers
COM		Computing	Do not use - was PC Business
COM		Computing	Do not use - was PC Leisure
COM	GMF	Computing	Gaming - Multiformat
COM	GNI	Computing	Gaming - Nintendo
COM	GPC	Computing	Gaming - PC Games
COM	GSO	Computing	Gaming - Sony
COM	GXB	Computing	Gaming - Xbox
COM	INT	Computing	Internet
COM	LIN	Computing	Linux
COM	MAC	Computing	Mac
COM	HLP	Computing	PC Help
COM	PCP	Computing	PC Performance
COM	TEC	Computing	PC Technical
COM	TRD	Computing	PC Trade
COU	NAT	Countryside & County	National
COU	REG	Countryside & County	Regional
FLA	FRA	Foreign Language Titles	France
FLA	DEU	Foreign Language Titles	Germany
FLA	ITA	Foreign Language Titles	Italy
FLA	MDE	Foreign Language Titles	Middle East
FLA	FAO	Foreign Language Titles	Other
FLA	ESP	Foreign Language Titles	Spain
GEN	AST	General Interest	General Interest - Astrology
GEN	CRM	General Interest	Crime
GEN	JOB	General Interest	Job Adverts
GEN	LIT	General Interest	General Interest - Literary
GEN	MIS	General Interest	Misc. (General Interest)
GEN	REL	General Interest	Religion
GEN	SIF	General Interest	General Interest - Sci Fi
GEN	TAT	General Interest	Tattoo
HIM	DIY	Home Improvement	Do It Yourself
HIM	GAR	Home Improvement	Gardening
HIM	WOO	Home Improvement	Woodworking
LEI	ANT	Leisure Interests	Antiques
LEI	ART	Leisure Interests	Art
LEI	AVI	Leisure Interests	Aviation
LEI	BOA	Leisure Interests	Boating

LEI	CWC	Leisure Interests	Camping / Walking / Climbing
LEI	COL	Leisure Interests	Collecting
LEI	CRA	Leisure Interests	Crafts
LEI	DAT	Leisure Interests	Dance Theatre
LEI	ELC	Leisure Interests	Electronics & Radio
LEI	EAL	Leisure Interests	Entertainment & Listings
LEI	EQU	Leisure Interests	Equestrian
LEI	FLM	Leisure Interests	Film & Video Reviews
LEI	GAM	Leisure Interests	Games
LEI	HAF	Leisure Interests	General Health & Fitness
LEI	HIF	Leisure Interests	Hi-Fi
LEI	HOL	Leisure Interests	Holiday
LEI	HEN	Leisure Interests	Home Entertainment
LEI	MIL	Leisure Interests	Military
LEI	MOD	Leisure Interests	Modelling
LEI	BIR	Leisure Interests	Pets - Birds
LEI	CAT	Leisure Interests	Pets - Cats
LEI	DOG	Leisure Interests	Pets - Dogs
LEI	FIS	Leisure Interests	Pets - Fish
LEI	PHO	Leisure Interests	Photography
LEI	BET	Leisure Interests	Racing & Betting
LEI	RCM	Leisure Interests	Radio Controlled Modelling
LEI	RAM	Leisure Interests	Railways - Modern
LEI	RAS	Leisure Interests	Railways - Steam
LEI	TRA	Leisure Interests	Transport - General
LEI	TVF	Leisure Interests	TV & Film Spin Offs
LEI	VID	Leisure Interests	Video & Camcorders
LEI	WIL	Leisure Interests	Wildlife
LEI	TAC	Leisure Interests	Yachting
MEN	MNL	Men's Fashion/Interest	Men's Lifestyle
MEN	MLW	Men's Fashion/Interest	Mens Lifestyle Weeklies
MOT	CAV	Motoring & Motorcycling	Caravanning
MOT	BIK	Motoring & Motorcycling	Motorcycling - Biker
MOT	MMC	Motoring & Motorcycling	Motorcycling - Classics
MOT	MCG	Motoring & Motorcycling	Motorcycling - General
MOT	MCS	Motoring & Motorcycling	Motorcycling - Sport
MOT	4X4	Motoring & Motorcycling	Motoring - 4X4
MOT	BAS	Motoring & Motorcycling	Motoring - Buying & Selling
MOT	MCL	Motoring & Motorcycling	Motoring - Classics
MOT	CUS	Motoring & Motorcycling	Motoring - Custom
MOT	GEN	Motoring & Motorcycling	Motoring - General
MOT	KIT	Motoring & Motorcycling	Motoring - Kit Car
MOT	PER	Motoring & Motorcycling	Motoring - Performance
MOT	SPO	Motoring & Motorcycling	Motoring - Sporting
MOT	TRU	Motoring & Motorcycling	Motoring - Trucks
MUS	CLA	Music	Classical

MUS	COU	Music	Country
MUS	DAN	Music	Dance
MUS	HEM	Music	Heavy Metal
MUS	JAZ	Music	Jazz
MUS	OMU	Music	Music Other
MUS	POP	Music	Pop
MUS	PLA	Music	Practical/Playing
MUS	ROC	Music	Rock
NEW	NEW	Newspapers	Newspapers
NCA	BAF	News & Current Affairs	Business & Finance
NCA	DOM	News & Current Affairs	Current Affairs - Domestic
NCA	CAI	News & Current Affairs	Current Affairs - International
NCA	SCI	News & Current Affairs	Science
PAR	NAL	Partworks	Partworks National Launch
PAR	TST	Partworks	Partworks Area Tests
PUZ	ARR	Puzzle Magazines	Puzzles - Arrowwords
PUZ	CLD	Puzzle Magazines	Puzzles - Childrens
PUZ	CRO	Puzzle Magazines	Puzzles - Cross Reference
PUZ	CRW	Puzzle Magazines	Puzzles - Crosswords
PUZ	KRI	Puzzle Magazines	Puzzles - Kriss Kross
PUZ	LOG	Puzzle Magazines	Puzzles - Logic Titles
PUZ	MIX	Puzzle Magazines	Puzzles - Mixed Content
PUZ	WRD	Puzzle Magazines	Puzzles - Wordsearch
SPE	NNE	Specials	Non News
SPE	CON	Specials	Confectionery
SPE	ONS	Specials	One Shots
SPE	ANN	Specials	Summer Specials/Annuals/Calendar
SPE	STI	Specials	Stamps, Stickers, Collectibles
SPO	ANC	Sport	Angling - Coarse
SPO	ANG	Sport	Angling - Game
SPO	ANS	Sport	Angling - Sea
SPO	ACA	Sport	Angling - Carp
SPO	ATH	Sport	Athletics
SPO	BOB	Sport	Bodybuilding
SPO	CRI	Sport	Cricket
SPO	CYC	Sport	Cycle Sports - Cycling
SPO	CMB	Sport	Cycle Sports - Mountain Bike
SPO	FOA	Sport	Football - Adult
SPO	FOC	Sport	Football - Club Specific
SPO	FOY	Sport	Football - Youth
SPO	GOL	Sport	Golf
SPO	OTHOS P	Sport	Other Sports
SPO	RCM	Sport	Ring / Combat Sports
SPO	RUG	Sport	Rugby
SPO	SHO	Sport	Shooting

SPO	SKI	Sport	Ski-ing and Snowboarding
SPO	WAT	Sport	Watersports
SUP	SUP	Supplements	Supplements
TEE	COM	Teenage Magazines	Teenage Comics
TEE	ENT	Teenage Magazines	Teenage Entertainment
TEE	LIF	Teenage Magazines	Teenage Lifestyle
TRP	TAP	Trade & Professional	Trade & Professional
TVL	RTV	TV Listings	Radio & TV Listings
TVL	SAT	TV Listings	Satellite/Cable
WOI	COO	Women's Interest	Cookery & Kitchen
WOI	HAI	Women's Interest	Hair
WOI	HMI	Women's Interest	Home Interest
WOI	NIT	Women's Interest	Machine Knitting
WOI	NEE	Women's Interest	Needlecraft
WOI	PAR	Women's Interest	Parenthood
WOI	RFI	Women's Interest	Romantic Fiction
WOI	SEW	Women's Interest	Sewing & Knitting
WOI	WEE	Women's Interest	Women's Traditional Weeklies
WOI	WED	Women's Interest	Weddings & Brides
WOI	CEL	Women's Interest	Women's Celebrity Weeklies
WOI	GIN	Women's Interest	Women's General Interest
WOI	HAB	Women's Interest	Women's Health & Beauty
WOI	FAS	Women's Interest	Women's Lifestyle / Fashion
WOI	PRA	Women's Interest	Women's Practical
WOI	SLI	Women's Interest	Women's Slimming
WOI	YNG	Women's Interest	Young Women
UNC	UNC	Unclassified	Unclassified

## Standard Code Values List 85

Description: NOTICE or RESTRICTION TYPE – First and Second levels  
 Data element: INOT & IRES  
 Data format: X(6) for each level  
 Owner: NewPET  
 Source: NewPET working group  
 Use in ISSUES: Appears in segments IRS  
 Comment: These codes are used to define the category of notice or restriction and the actual level of restriction within that category. For example, the AGE restriction is based on the film classification system

Value	Restriction	Description or explanation of code
AGE		Age
	U	Universal – Suitable for all
	12	No one younger than 12 may buy a “12” rated video or DVD
	15	No one younger than 15 may buy a “15” rated video or DVD
	18	No one younger than 18 may buy a “18” rated video or DVD
	R18	Only to be supplied in licensed sex shops and to adults of not less than 18 years.
ELEC		Electrical
	BATT	Electrical – batteries – dispose of correctly
FOOD		Food



	NUTS	Food – Nuts
	GM	Food – GM
	SOYA	Food – Soya
	DAIRY	Food – Dairy
	EGG	Food – Eggs
	GLUTEN	Food – Gluten
SIZE		Size
	36MTHS	Size – small parts – no one under 36 months
EMBA		Embargo on its notification
	24	Embargo until 24 hours before on sale
	OS	Embargo until on sale date

### Standard Code Values List 86

Description:	PRODUCT or PART OF PRODUCT RESTRICTION APPLIES
Data element:	IPRD
Data format:	X(6)
Owner:	NewPET
Source:	NewPET working group
Use in ISSUES:	Appears in segments IRS
Comment:	This code is used to define the product or the part of the product that is covered by the notice or restriction described

Value	Description or explanation of code
COVERM	Cover mount
INSERT	Insert
MAINCT	Main Content/product
SUPP	Supplement

### Standard Code Values List 87

Description:	COUNTRY CODE – Alpha-7
Data element:	VCRY & ICRY
Data format:	X(7)
Owner:	ISO
Source:	<a href="http://en.wikipedia.org/wiki/ISO_3166-1">http://en.wikipedia.org/wiki/ISO_3166-1</a>
Use in ISSUES:	Appears in segments IPD & IRS

Comment: The existence of various country codes developed by different organizations can be confusing if you exchange goods or information in our ever more integrated world. To make sure that communication works you need an accepted, up-to-date country code standard, such as ISO 3166. First published in 1974, ISO 3166 has since then become one of the world's most popular and most widely used standard solution for coding country names. It contains a two-letter code which is recommended as the general purpose code, a three-letter code (which has better mnemonic properties and visual association between the codes and the country names than the alpha-2 codes, it is also identical to those developed and maintained by the United Nations Statistics Division and is script (writing system) independent) and a numeric-3 code.

As part of the ISO 3166-2 standard there are also Country Subdivision codes and names. We are unlikely to use many other than those for the UK so only the UK country subdivisions are listed below.






The four constituent parts of the United Kingdom, i.e., England, Northern Ireland, Scotland, and Wales (whose status is described as either "country", "province", or "principality"), have assigned codes, as well as three other geopolitical terms which are included for completeness. It is expected that whenever the GBR county code is used that there will also be a subdivision code from the list below. This explicit stating of the part or parts of the UK adds clarity and removes any room for misinterpretation in the message.

**Note:** The Isle of Man, Guernsey and Jersey are considered as separate countries, NOT part of the UK. They were once coded as subdivisions of the UK but these codes have now been deleted, in favour of the Country codes (see list below).

Abbreviated list of countries and their codes (initial code).

	English short name lower case <sup>[10]</sup>	Alpha-2 code	Alpha-3 code	Numeric code	ISO 3166-2 codes
	<a href="#">Australia</a>	<a href="#">AU</a>	<b>AUS</b>	36	<a href="#">ISO 3166-2:AU</a>
	<a href="#">Austria</a>	<a href="#">AT</a>	<b>AUT</b>	40	<a href="#">ISO 3166-2:AT</a>
	<a href="#">Belgium</a>	<a href="#">BE</a>	<b>BEL</b>	56	<a href="#">ISO 3166-2:BE</a>
	<a href="#">Canada</a>	<a href="#">CA</a>	<b>CAN</b>	124	<a href="#">ISO 3166-2:CA</a>
	<a href="#">Denmark</a>	<a href="#">DK</a>	<b>DNK</b>	208	<a href="#">ISO 3166-2:DK</a>
	<a href="#">France</a>	<a href="#">FR</a>	<b>FRA</b>	250	<a href="#">ISO 3166-2:FR</a>
	<a href="#">Germany</a>	<a href="#">DE</a>	<b>DEU</b>	276	<a href="#">ISO 3166-2:DE</a>
	<a href="#">Gibraltar</a>	<a href="#">GI</a>	<b>GIB</b>	292	<a href="#">ISO 3166-2:GI</a>
	<a href="#">Greece</a>	<a href="#">GR</a>	<b>GRC</b>	300	<a href="#">ISO 3166-2:GR</a>
	<a href="#">Guernsey</a>	<a href="#">GG</a>	<b>GGY</b>	831	<a href="#">ISO 3166-2:GG</a>
	<a href="#">Hungary</a>	<a href="#">HU</a>	<b>HUN</b>	348	<a href="#">ISO 3166-2:HU</a>
	<a href="#">Isle of Man</a>	<a href="#">IM</a>	<b>IMN</b>	833	<a href="#">ISO 3166-2:IM</a>
	<a href="#">Israel</a>	<a href="#">IL</a>	<b>ISR</b>	376	<a href="#">ISO 3166-2:IL</a>
	<a href="#">Italy</a>	<a href="#">IT</a>	<b>ITA</b>	380	<a href="#">ISO 3166-2:IT</a>
	<a href="#">Jersey</a>	<a href="#">JE</a>	<b>JEY</b>	832	<a href="#">ISO 3166-2:JE</a>
	<a href="#">Netherlands</a>	<a href="#">NL</a>	<b>NLD</b>	528	<a href="#">ISO 3166-2:NL</a>
	<a href="#">New Zealand</a>	<a href="#">NZ</a>	<b>NZL</b>	554	<a href="#">ISO 3166-2:NZ</a>
	<a href="#">Norway</a>	<a href="#">NO</a>	<b>NOR</b>	578	<a href="#">ISO 3166-2:NO</a>
	<a href="#">Poland</a>	<a href="#">PL</a>	<b>POL</b>	616	<a href="#">ISO 3166-2:PL</a>
	<a href="#">Portugal</a>	<a href="#">PT</a>	<b>PRT</b>	620	<a href="#">ISO 3166-2:PT</a>
	<a href="#">South Africa</a>	<a href="#">ZA</a>	<b>ZAF</b>	710	<a href="#">ISO 3166-2:ZA</a>
	<a href="#">Spain</a>	<a href="#">ES</a>	<b>ESP</b>	724	<a href="#">ISO 3166-2:ES</a>
	<a href="#">Sweden</a>	<a href="#">SE</a>	<b>SWE</b>	752	<a href="#">ISO 3166-2:SE</a>
	<a href="#">Switzerland</a>	<a href="#">CH</a>	<b>CHE</b>	756	<a href="#">ISO 3166-2:CH</a>
	<a href="#">United States</a>	<a href="#">US</a>	<b>USA</b>	840	<a href="#">ISO 3166-2:US</a>
	<a href="#">United Kingdom</a>	<a href="#">GB</a>	<b>GBR</b>	826	<a href="#">ISO 3166-2:GB</a>

#### UK Subdivision Codes

	Code	Subdivision name	Subdivision category
	<b>ENG</b>	England	country
	<b>NIR</b>	Northern Ireland	province
	<b>SCT</b>	Scotland	country
	<b>WLS</b>	Wales	Principality
	<b>EAW</b>	England & Wales	Geopolitical term
	<b>GBN</b>	Great Britain (consisting of England, Scotland, and Wales)	Geopolitical term
	<b>UKM</b>	United Kingdom (consisting of England, Northern Ireland, Scotland, and Wales)	Geopolitical term

### Standard Code Values List 88

Description: BUNDLE PACKING TYPE  
Data element: IBPK

Data format: X(6)  
 Owner: NewPET  
 Source: NewPET working group  
 Use in ISSUES: Appears in segments IPY  
 Comment: This code is used to define the way the magazine bundles are packed

Value	Description or explanation of code
BOX	Boxed
STRAP	Strapped only
POLLY	Polly-wrapped

### Standard Code Values List 89

Description: COVERMOUNT PRODUCT TYPE CODE  
 Data element: ITIC  
 Data format: X(4)  
 Owner: NewPET  
 Source: NewPET working group  
 Use in ISSUES: Appears in segments ICM  
 Comment: This code is used to define the type of product as a covermount

Value	Description or explanation of code
CD	CD
DVD	DVD
BOOK	BOOK
CATL	Catalogue
TOY	TOY
CARD	Cards

### Standard Code Values List 90

Description: COVERMOUNT RETURN ACTION CODE  
 Data element: IWST  
 Data format: X(4)  
 Owner: NewPET  
 Source: NewPET working group  
 Use in ISSUES: Appears in segments ICM  
 Comment: This code is used to define the type of product as a covermount

Value	Description or explanation of code
DEST	Destroy
KEEP	Keep
SECU	Secure disposal
RECY	Recycle

### Standard Code Values List 91

Description: RETAIL MULTIPLE CODE  
 Data element: ICIC  
 Data format: X(3)  
 Owner: ANMW – see web site.  
 Source: [http://www.anmw.co.uk/anmw/documents/ANMW\\_Retail\\_Multiple\\_Classifications.pdf](http://www.anmw.co.uk/anmw/documents/ANMW_Retail_Multiple_Classifications.pdf)  
 Use in ISSUES: Appears in segments IDI  
 Comment: This code is used to define the retail multiple type.  
 Please check ANMW website for latest version.

Sample extract of ANMW codes from web site document. **\*\*Effective 01st February 2010\*\***

CODE	MULTIPLE GROUP	Status	ANMW RETAIL	ANMW Categories	COMMENTS
------	----------------	--------	-------------	-----------------	----------

			CLASSIFICATIONS		
<b>BBS</b>	BRITISH BOOK SHOPS	Live	MSN	High Street	Live 01st February 2010
<b>ASL</b>	ASDA LIVING	Live	CAP	Grocery	Live 01st February 2010
<b>COM</b>	COMPASS	Live	CAP	Travel	Live 01st February 2010
<b>NIS</b>	NISA	Live	CON/CCC/CFC	Convenience	Live 01st February 2010
<b>HAB</b>	HABITAT	Live	MIS	Other RMG	Live 01st February 2010
<b>HAL</b>	HALFORDS	Live	MIS	Other RMG	Live 01st February 2010 - Reinstated
<b>HOB</b>	HOBBYCRAFT	Live	MIS	Other RMG	Live 01st February 2010
<b>LID</b>	LIDL	Live	MIS	Other RMG	Live 01st February 2010
<b>MAJ</b>	MAJESTIC WINE WAREHOUSE	Live	MIS	Other RMG	Live 01st February 2010
<b>ODD</b>	ODDBINS	Live	MIS	Other RMG	Live 01st February 2010
<b>7EL</b>	B2	Live	CON/CCC	Convenience	Previously 7 Eleven
<b>AAS</b>	ALPHA AIRPORTS	Live	ITP	Travel	Revived 28th August 2009
<b>AFJ</b>	ALFRED JONES	Live	CON/CCC/CFC	Convenience	
<b>AJG</b>	A J GILLESPIE	Live	CON/CCC	Convenience	
<b>ALL</b>	ALLDAYS	Live	CON/CCC	Convenience	
<b>ARA</b>	ARAMARK	Live	CAP	Convenience	Live 31st March 2008
<b>ASD</b>	ASDA SUPERMARKETS	Live	SUP	Grocery	
<b>ASP</b>	ASDA FORECOURTS	Live	PFC/CFC/SER	Grocery	
<b>BAD</b>	BADGER RETAIL	Live	Refer to class list	CTN	
<b>BAI</b>	BAILEY J & H	Live	CTN	CTN	
<b>BAL</b>	BALFOURS	Live	CON/CCC	Convenience	
<b>BAN</b>	BAILEY NEWS	Live	CTN	CTN	
<b>BAQ</b>	B & Q	Live	MSN	Other RMG	
<b>BHS</b>	BRITISH HOME STORES	Live	MSN High Street	Revived 28th August 2009	
<b>BLK</b>	BLACKWELLS	Live	MSN	Other RMG	
<b>BLO</b>	BLOCKBUSTER / RITZ	Live	MSN	Other RMG	
<b>BOO</b>	BOOTS PLC	Live	MSN	High Street	
<b>BOR</b>	BORDERS BOOKS	Live	MSN	High Street	
<b>BOT</b>	BOTTERILS	Live	CON/CCC	Convenience	
<b>BOU</b>	BOURNE LEISURE	Live	Refer to class list	Other RMG	
<b>BPC</b>	BP CONNECT	Live	CFC/SER	Forecourts	
<b>BPE</b>	BP EXPRESS SHOPPING	Live	CFC/SER	Forecourts	
<b>BPF</b>	BP FRANCHISE STORES	Live	CFC	Forecourts	Live 31st March 2008
<b>BPG</b>	BP GROCERY	Live	CFC/SER	Forecourts	
<b>BPS</b>	BP M&S SIMPLY FOOD	Live	CFC/SER	Forecourts	
	<b>End of sample</b>				

### Standard Code Values List 92

Description: TYPE OF SUPPLY CODE  
 Data element:  
 Data format: X(3)  
 Owner: NewPET  
 Source: NewPET working group  
 Use in ISSUES: Appears in segments  
 Comment: This code is used to define the type of product as a covermount

Value	Description or explanation of code
MAN	Mandatory
OPT	Optional
NAL	Not allowed
PRO	Promotion

### Standard Code Values List 93

Description: PROMOTION TYPE CODE  
 Data element:  
 Data format: 9(2)  
 Owner: NewPET  
 Source: NewPET working group  
 Use in ISSUES: Appears in segments ISP – Promotional segment  
 Comment: This code is used to define the type of promotion

Value	Description or explanation of code
00	Free Order
01	Target

02	Allocation
03	SOR Target
04	Fully SOR
05	Firm allocation

### Standard Code Values List 94

Description: DISTRIBUTION ENTITY OR LOCATION CODE  
Data element: ICIT  
Data format: X(3)  
Owner: NewPET  
Source: NewPET working group  
Use in ISSUES: Appears in segment IDI –Issue Varian Distribution segment  
Comment: This code is used to define the type of where a variant is to be distributed or not. NOTE-  
The number of code values is likely to increase to accommodate the future distribution requirements of variants and may include individual retailers via their URN, retailer location, etc.

<b>Value</b>	<b>Description or explanation of code</b>
RMG	Retail Multiple Group(s) from code list 91 (Each format of a retail group to be specified)
PCA	Postcode area = XX – e.g. EH
PCD	Postcode district = XX99 - e.g. EH12
PCS	Postcode sector = XX99 9 e.g. - EH12 4
WSA	Wholesaler = EAN-13 Location code

6. GLOSSARY OF TERMS

<u>Term</u>	<u>Definition</u>
Barcode	A barcode is a machine-readable symbol, printed to well defined specifications. The bar code consists of a rectangle comprising a series of light and dark parallel bars. Used to electronically identify products.
Claims End Date	The last date when claims for unsold copies for a magazine/issue can be made to the publisher/distributor by wholesale. Any claims made after this date will be rejected.
Claims Start Date	The date from when claims for unsold copies of a magazine/issue can be made to the publisher/distributor by wholesale.
Cover ID	The issue description as it appears on the front cover, limited to 10 characters within the issue file
Cover ID Format	Specified format for the issue description
Cover Price	The price of the issue as it appears on the cover.
Currency Indicator	The code to indicate the currency of the cover price
Customer	The recipient of the issue file, example wholesaler
Data Elements	An element is a unit of information defined in EDI message standards, which contains a single piece of information, such as a date or a quantity.
Data Segment	A segment in EDI is equivalent to a record in database terminology. A segment may contain many elements. An EDI message contains many segments.
Deleted Issue Indicator	A flag to indicate that an issue previously transmitted should now be deleted
GS1	GS1 is the trading name of the Association for Standards and Practices in Electronic Trade. Previously known as e-centre and ANA.
EAN	A unique product identification numbering system. The key components for the EAN numbers are the ISSN number for magazines and the ISBN number for books/one off magazines.
EAN 13	Normal style of 'bar code number' found on most retail products. A 13-digit number constructed using the EAN system, of a convenient size to be accommodated on most consumer products.
EAN 15	Style of 'bar code number' found on magazines, containing the EAN13 and the Issue 'Add On'
EDI	Electronic Data Interchange is the computer to computer exchange of structured data, sent in a form that allows for automatic processing with no manual intervention.
EDI Message Standard	These define in detail the format of the messages that will be exchanged. A message is made up of many data segments.
File Generation No.	Sequential number per message per trading partner.
File Version No.	The original file is always version 1; the version number is incremented for any additional copy of the file sent.
Frequency of Publication	The number of times per annum a magazine is published
Full Title	The magazine title as it appears on the front cover, limited to 30 characters within the issue file
Fully SOR Indicator	A flag to indicate whether an issue of a magazine is full sale or

	return, firm sale or part sale or return
GLN - Global Location Number (ANA Location Code)	13 digit code used to recognise trading partner
GXS	Global eXchange Services (GXS) is the company, which operates the Tradanet network used by the magazine publishing industry.
ISBN	An ISBN is an International Standard Book Number. It is a 10-digit number obtained from The Standard Book Numbering Agency Ltd, the ISBN Agency for the UK and Republic of Ireland. ISBN numbers are issued for books, one off magazine publications.
ISSN	International Standard Serial Number. An 8-digit cataloguing number conforming to international standards & issued by the UK National Serials Data Centre. (British Library). A key component of the magazine bar code. No magazine may be transmitted in the EDI Issue File without a properly constituted bar code.
Issue 'Add On' / Supplementary code	The EAN symbol is followed by a 2 digit 'add-on' symbol which identifies the issue
Issue Period From	An issue file contains details of all titles and issues within a range of dates, this is the start date
Issue Period To	An issue file contains details of all titles and issues within a range of dates, this is the end date
Last Date for Order	The date by which all revisions to wholesale orders for a magazine/issue must be received by the publisher/distributor
Last Issue Indicator	A flag to indicate that the issue being transmitted will be the last issue to be published for that title
Mailbox	An area within the VAN where data is stored for collection by the recipient (see VAN)
Multivariant	See Variant
National Title File	Central database of title information populated by the issue files sent to wholesalers by Publisher/Distributors.
On Sale Date Official	The date on which a magazine/issue should be displayed at the retailer for sale to the consumer
On Sale Date Unofficial	No longer in message as not used
Part Price	Breakdown of the cover price where all or part of the cover price is subject to VAT. Shows both the vatable and non-vatable elements of the cover price.
Postbox	An area within the VAN where data is held prior to delivery to the recipient (see VAN)
Promotional Code	A flag to identify that an issue of a magazine is supported by a promotion
Promotional Reference	Reference number used by the publisher/distributor within their systems to recognise a promotion for a magazine issue.
Promotional Text	A text description of promotion for the magazine/issue
Publisher's ID for House	The identification code for a wholesale house/branch which is held within the publisher/distributor system
Publisher's Issue Reference	The issue reference used within the publisher/distributor systems
Publisher's Recall Date	The date on which unsold copies of a magazine/issue are removed from retailer shelves to be returned to the wholesaler

Publisher's Title Reference	The magazine title reference used within the publisher/distributor systems
Returns Method	Instructions to wholesale as to the method of handling returns e.g. waste/keep.
Sales or Returns Allowance (copies)	The number of copies of a magazine/issue which may be returned per wholesale house.
Short Title	An abbreviation of the magazine title, limited to 16 characters
Supplier	The sender of the issue file, example publisher/distributor
The 'ISSUES' file	Tradacoms message standard for transmitting magazine issue information electronically
Tradacoms Standards	UK EDI message standards, covering a range of commercial transactions, which are regulated by GS1.
Tradanet Service	The value added network (VAN) used in the electronic transfer of data
VAN	A Value Added Network acts as a 'post-office' for EDI data. Instead of communicating directly, trading partners communicate through a VAN. Each trading partner has a 'mailbox' on the VAN. When a trading partner sends data to the VAN it is routed to the mailbox of the destination-trading partner. The destination-trading partner may call the VAN and collect the data at a later stage.
Variant	An edition of a given issue of a magazine which is intended for specific distribution. This could be geographically, by type of retailer, in another time frame, with different content or added value, etc or a combination of these.  It is strongly recommended that wherever possible that an issue variant has a unique barcode on its cover to allow separate processing and reporting of sales information. This will not only help in getting the right product to the right place, but also enable more accurate sales analysis.
VAT Code	VAT rate code, e.g. 'x' = exempt, 's' = standard rate
VAT Rate Percentage	The VAT rate %, e.g. exempt is 0, standard currently 17.5%
Wholesaler's ID for House	The wholesaler's identification code, normally the ANA location code.
Year of Publication	The year that the publication is on sale

-oo0oo-